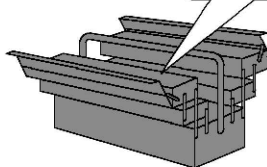
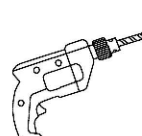
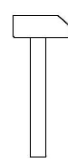
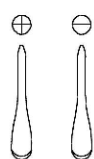
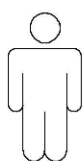


ШКАФ ДЛЯ ПОСУДЫ 23 LESET МИРА

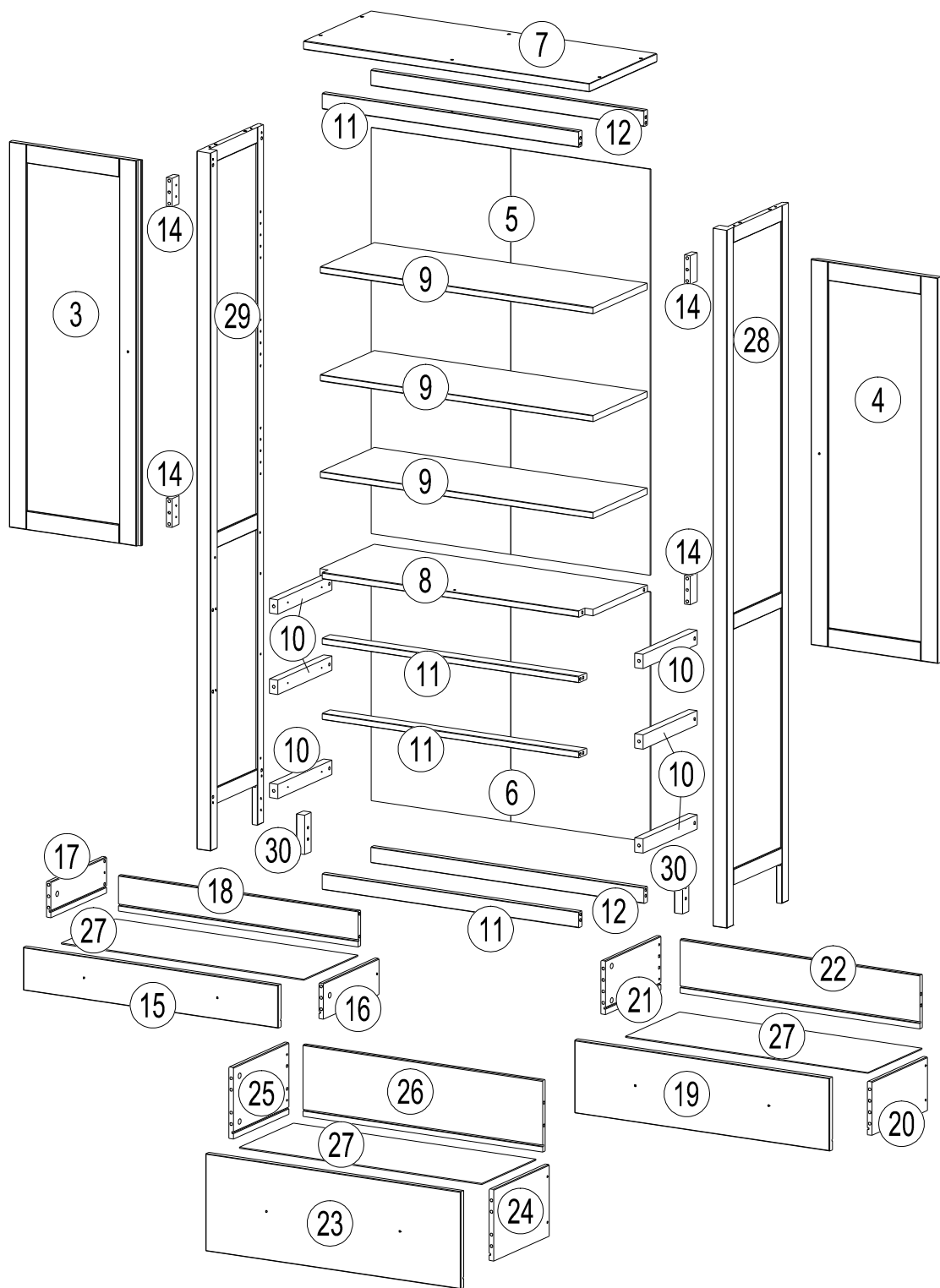
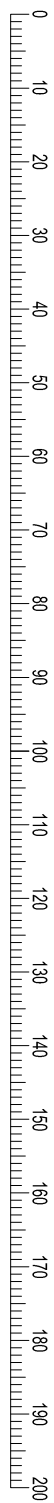

le set

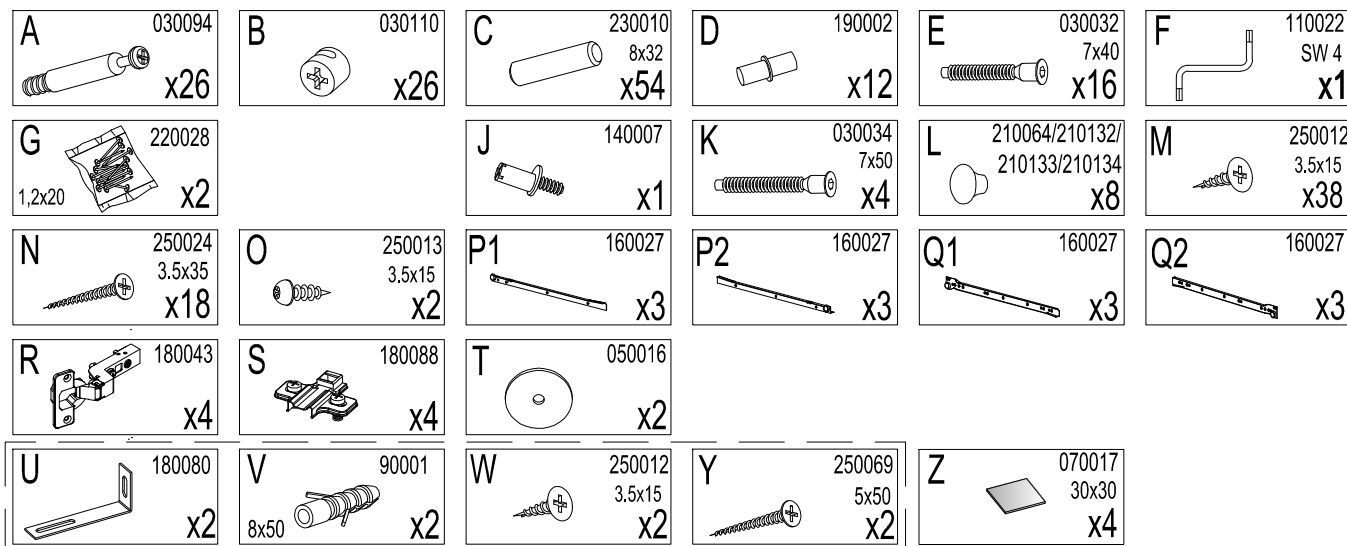


- | | | | |
|-----------|------------------------------------|-----------|--------------------------------|
| D | Montageanleitung | GB | Assembly instructions |
| FR | Notice de montage | IT | Istruzioni di montaggio |
| NL | Handleiding voor de montage | PL | Instrukcja montażu |
| CZ | Montážní návod | SK | Návod na montáž |
| HU | Szerelési útmutató | RO | Instrukțiuni de montaj |
| TR | Montaj talimatı | RU | Инструкция по монтажу |

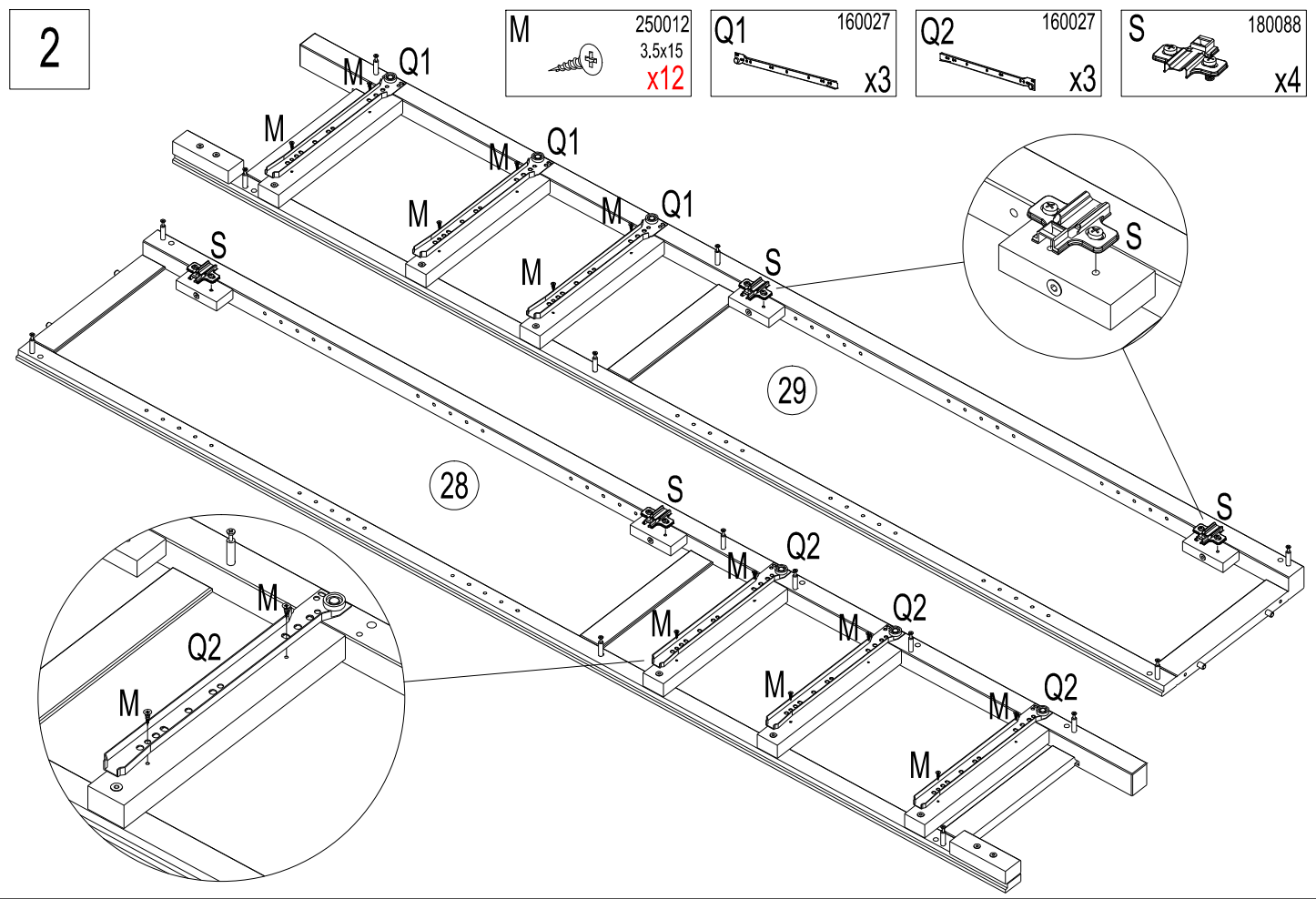
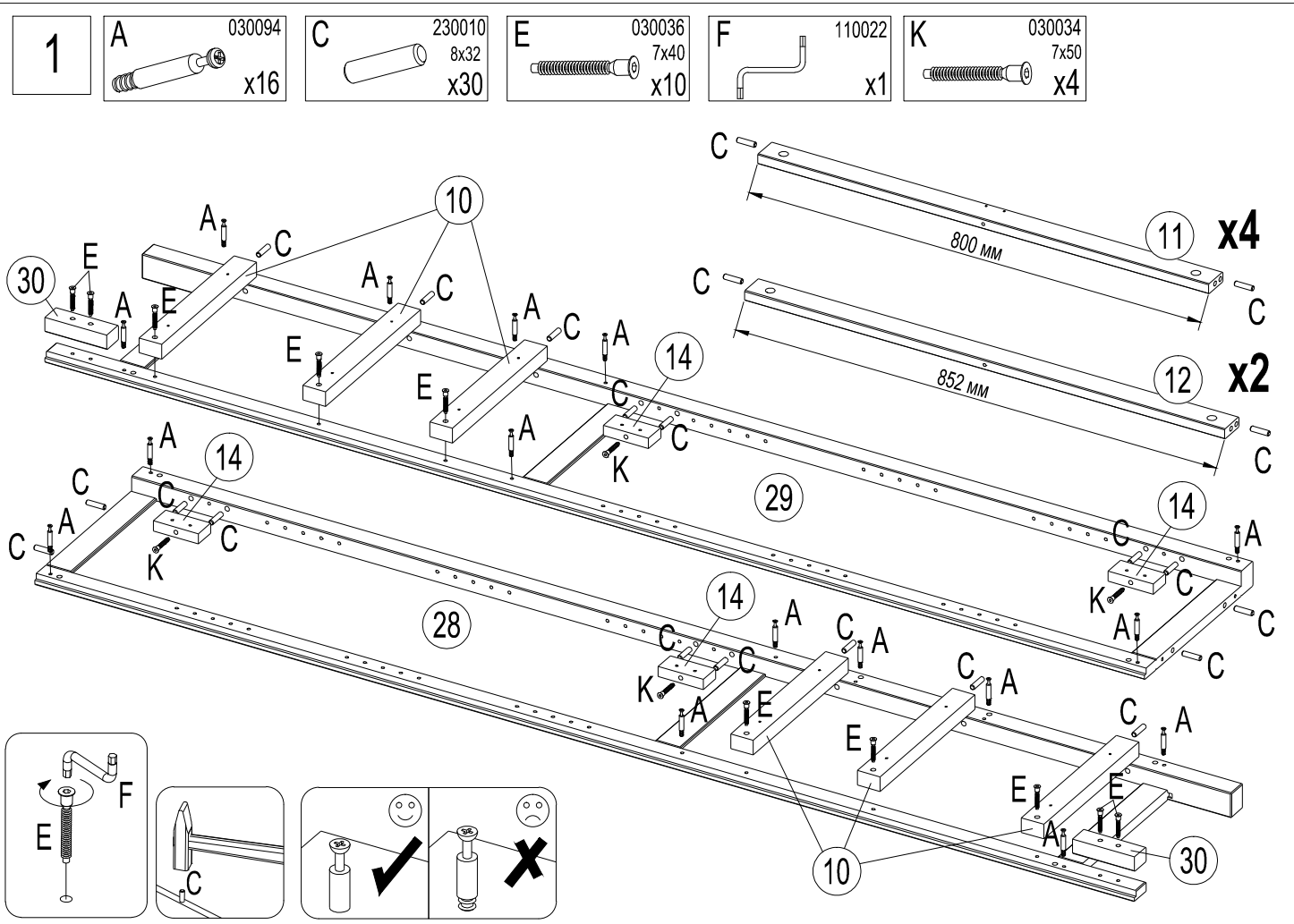


EAC





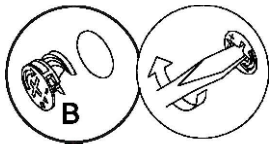
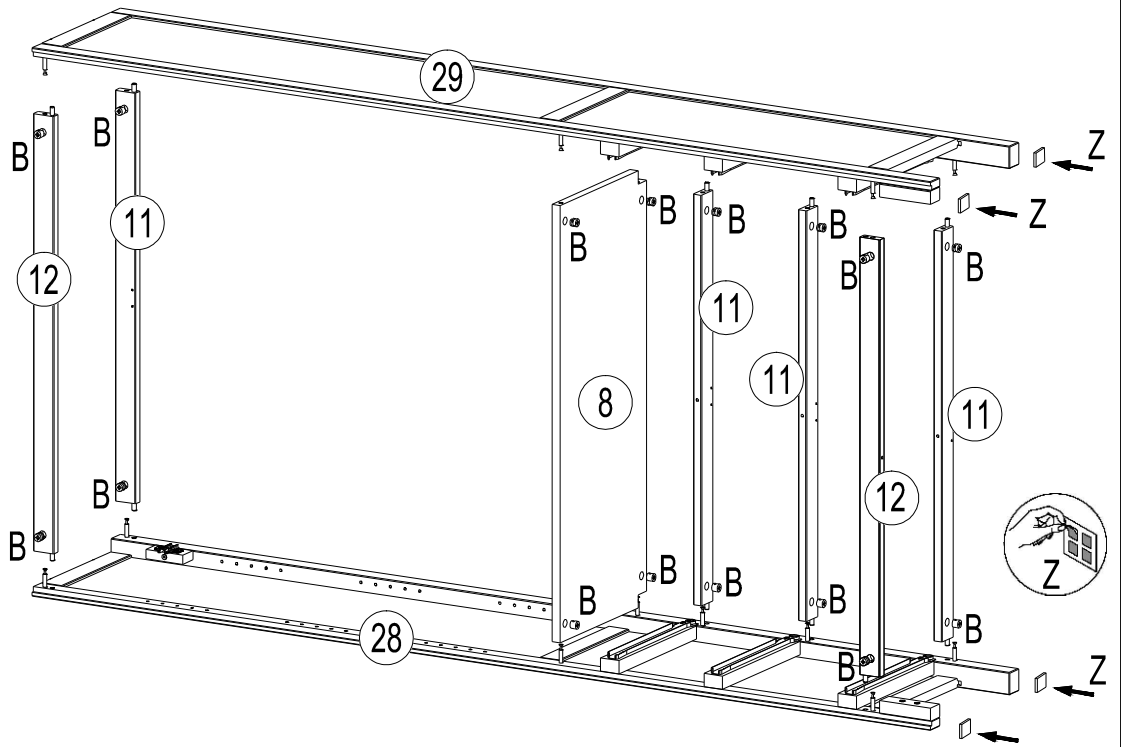
No	Size/MaB (mm)	Qty	✓	No	Size/MaB (mm)	Qty	✓
28	1948x334x44	1		15	795x120x18	1	
29	1948x334x44	1		16	300x100x14	1	
3	1078x406x18	1		17	300x100x14	1	
4	1078x396x18	1		18	747x100x14	1	
5	1136x870x3	1		19	795x204x18	1	
6	676x870x3	1		20	300x150x14	1	
7	891x364x24	1		21	300x150x14	1	
8	852x326x18	1		22	747x150x14	1	
9	851x292x18	3		23	795x272x18	1	
10	292x40x26	6		24	300x200x14	1	
11	800x44x18	4		25	300x200x14	1	
12	852x44x18	2		26	747x200x14	1	
30	106x36x26	2		27	756x292x3	3	
14	80x38x18	4					



3

B 030110
x16

Z 070017
30x30
x4



4

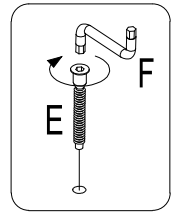
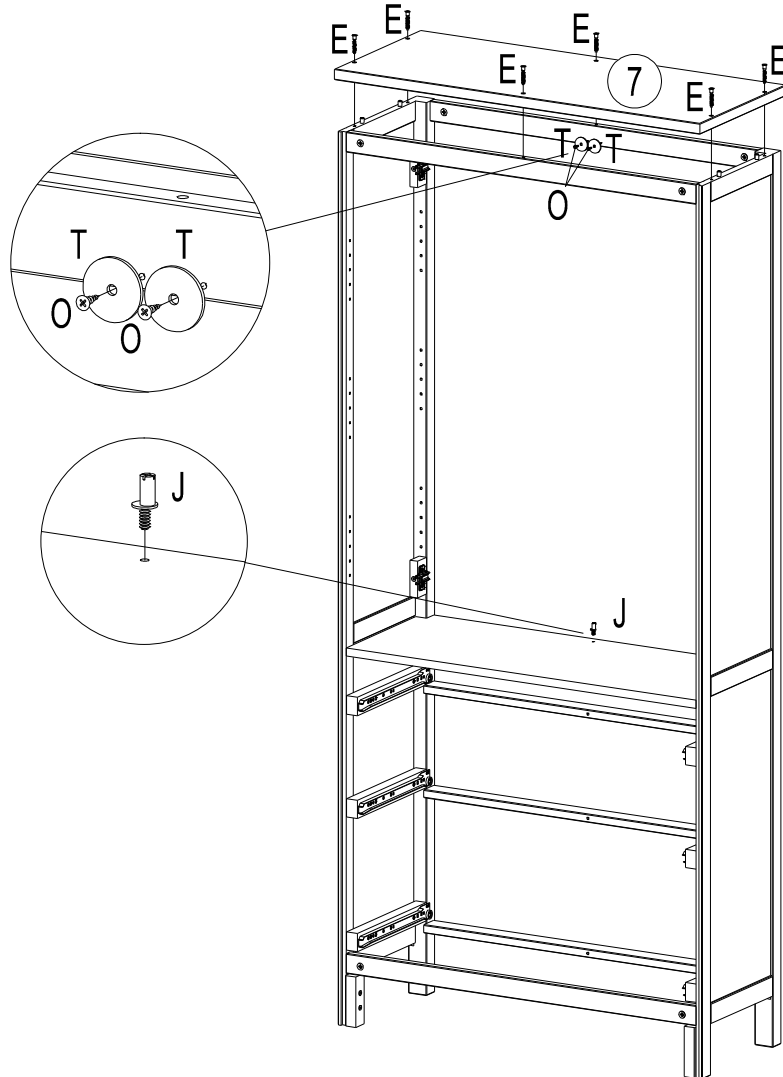
E 030032
7x40
x6

F 110022
SW 4
x1

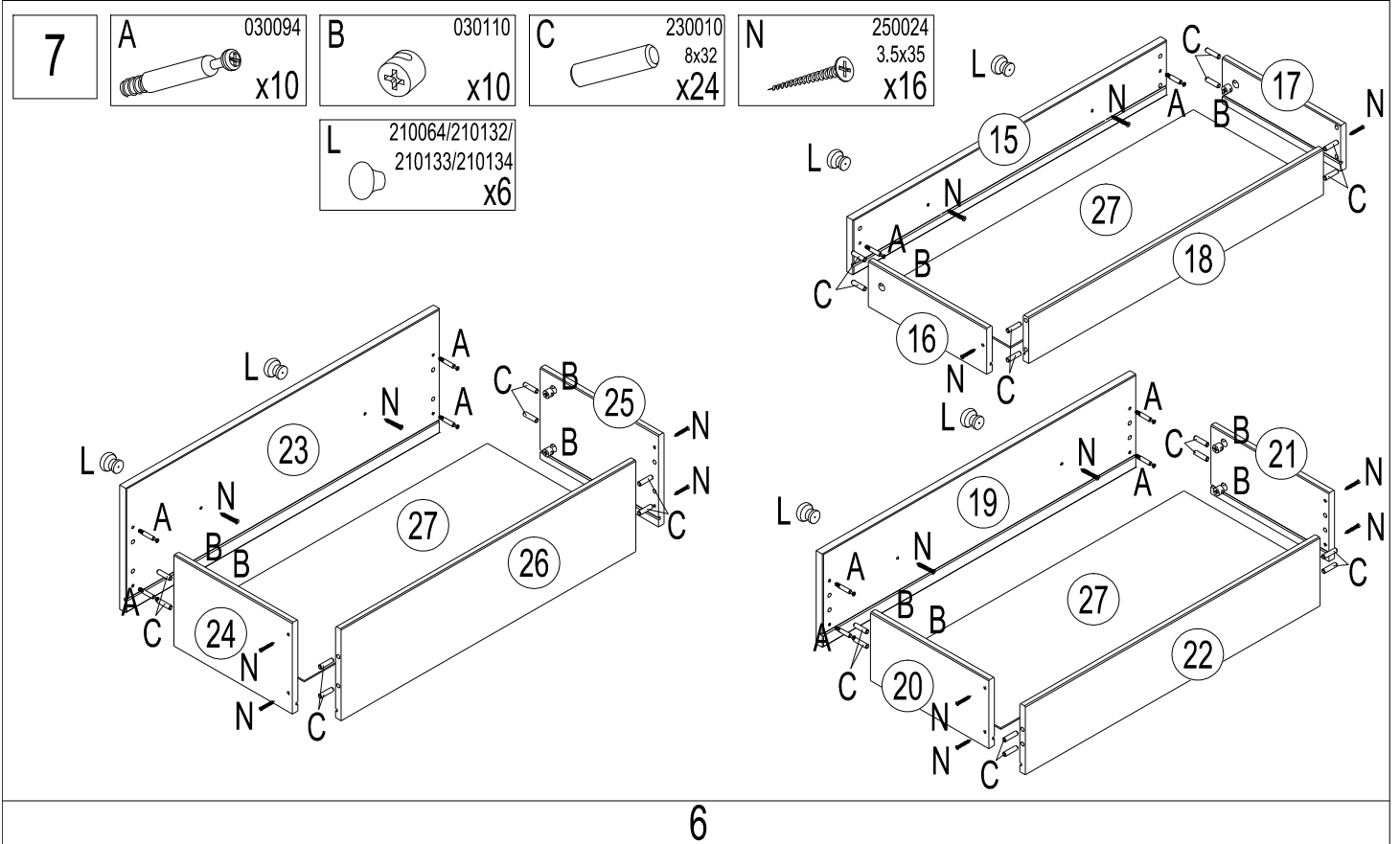
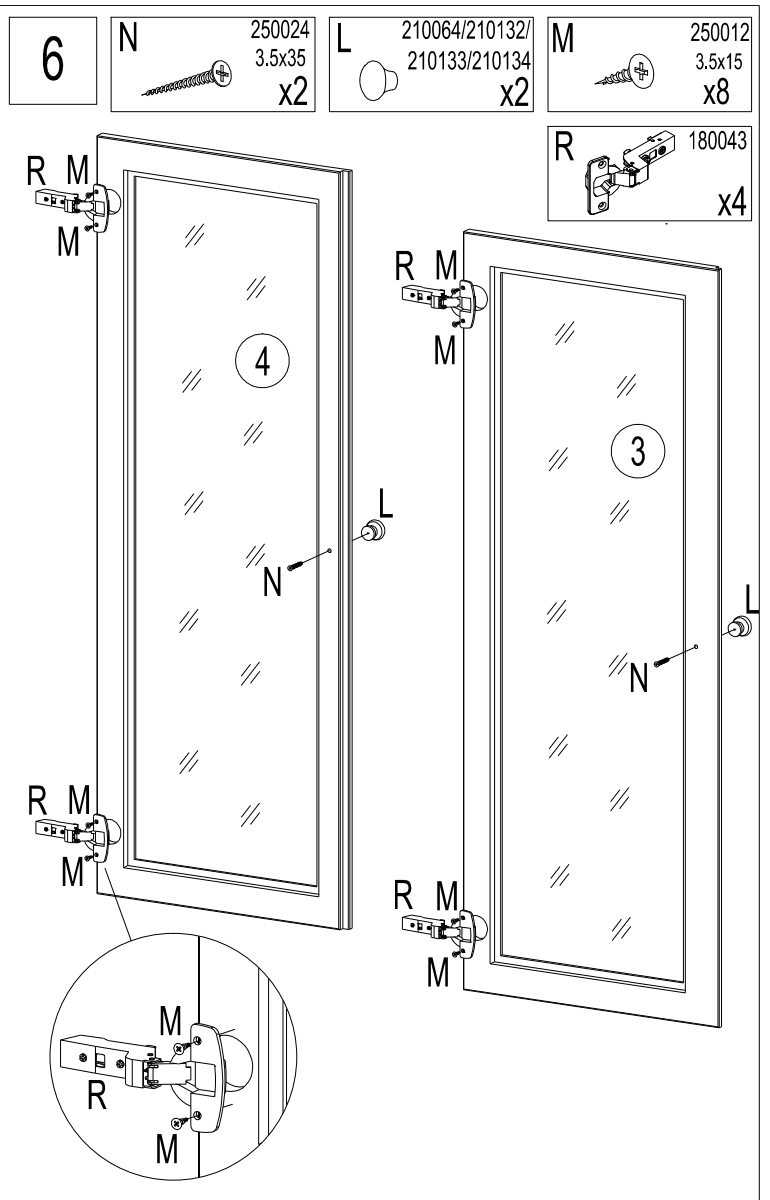
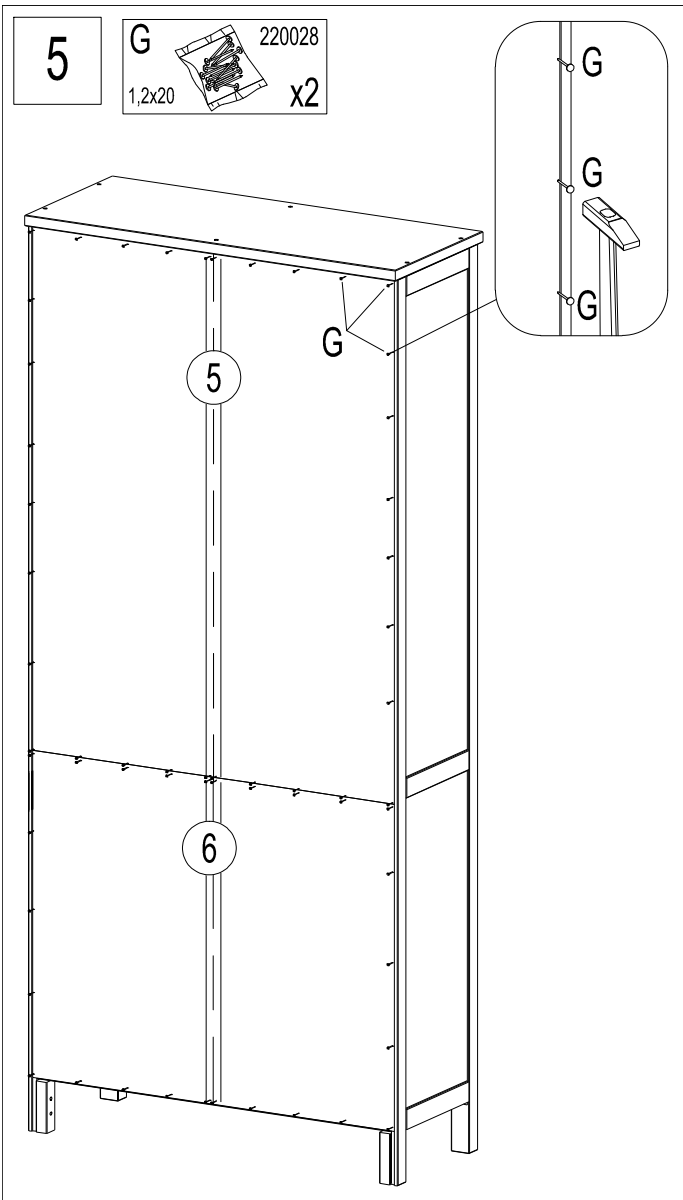
O 250013
3.5x15
x2

T 050016
x2

J 140007
x1



5



8

M



250012
3.5x15
x12

P1

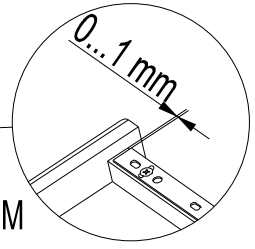
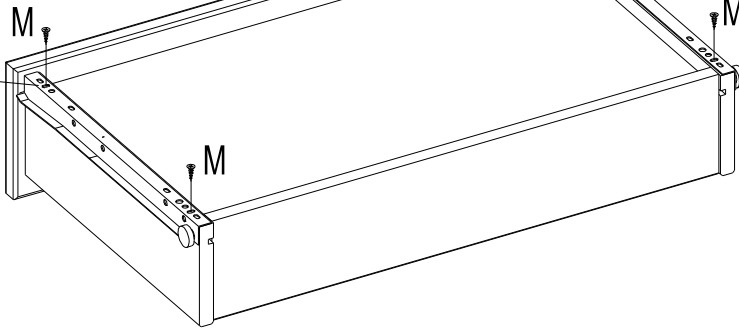
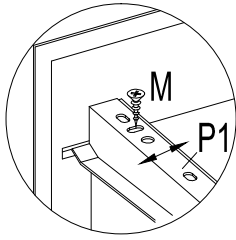


160027
x3

P2

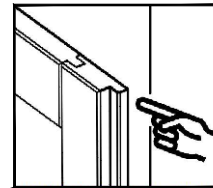
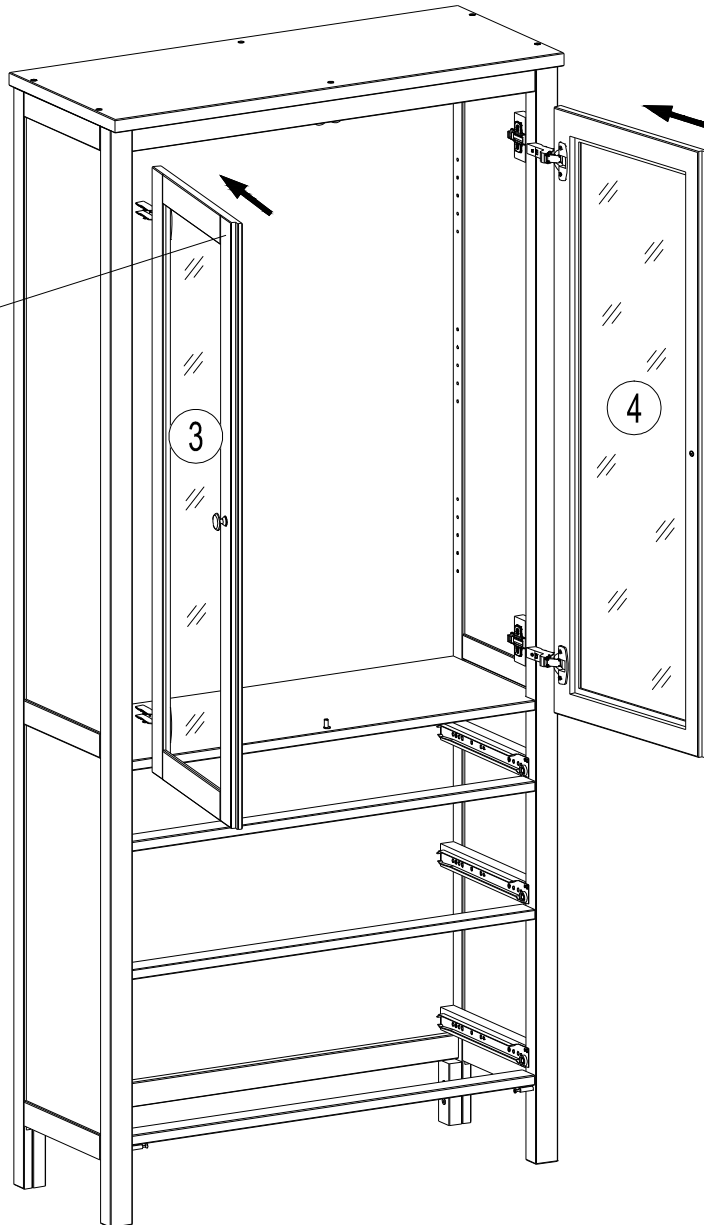
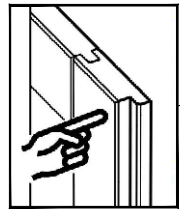


160027
x3

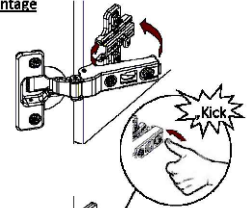


x3

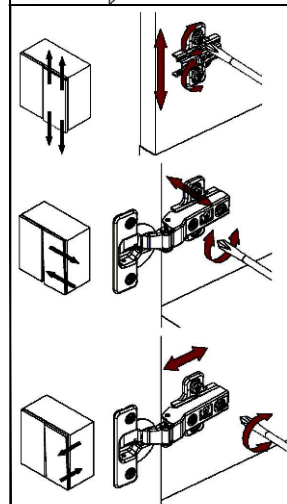
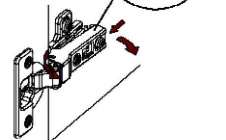
9



Montage



Demontage



10

D 190002 x12

M 250012 3.5x15 x6

U 180080 x2

V 90001 8x50 x2

W 250012 3.5x15 x2

Y 250069 5x50 x2

